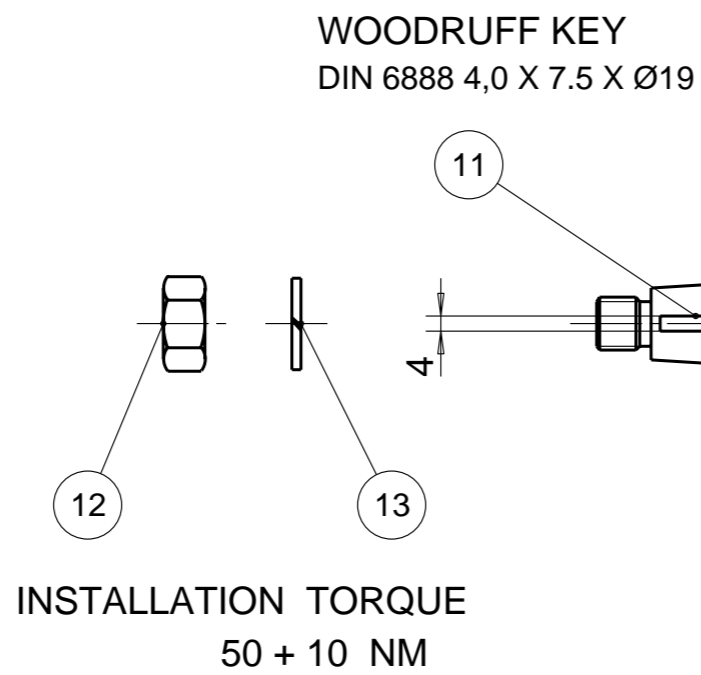
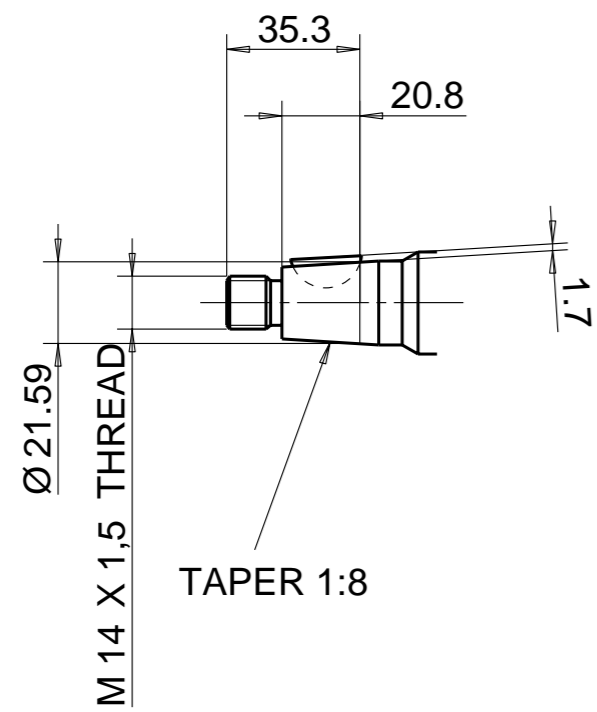
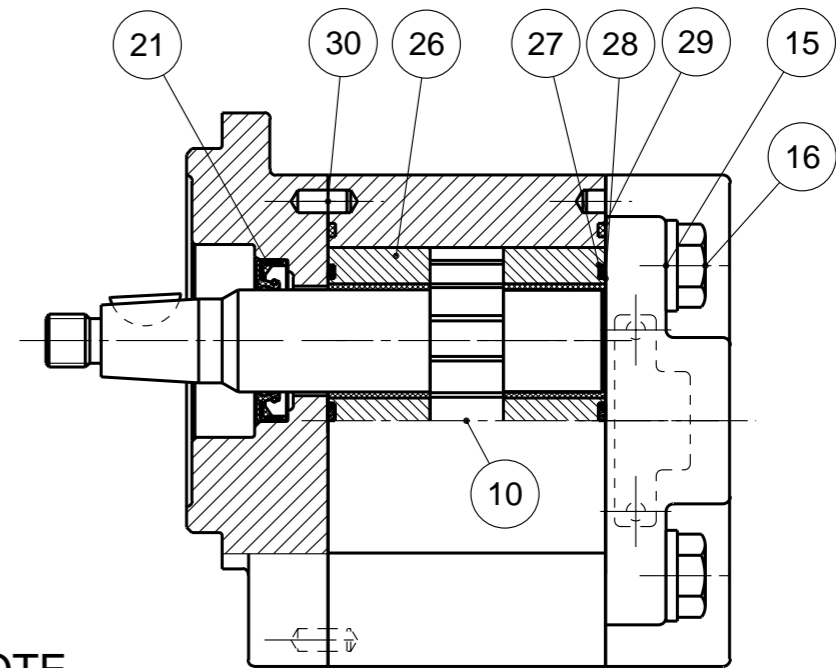
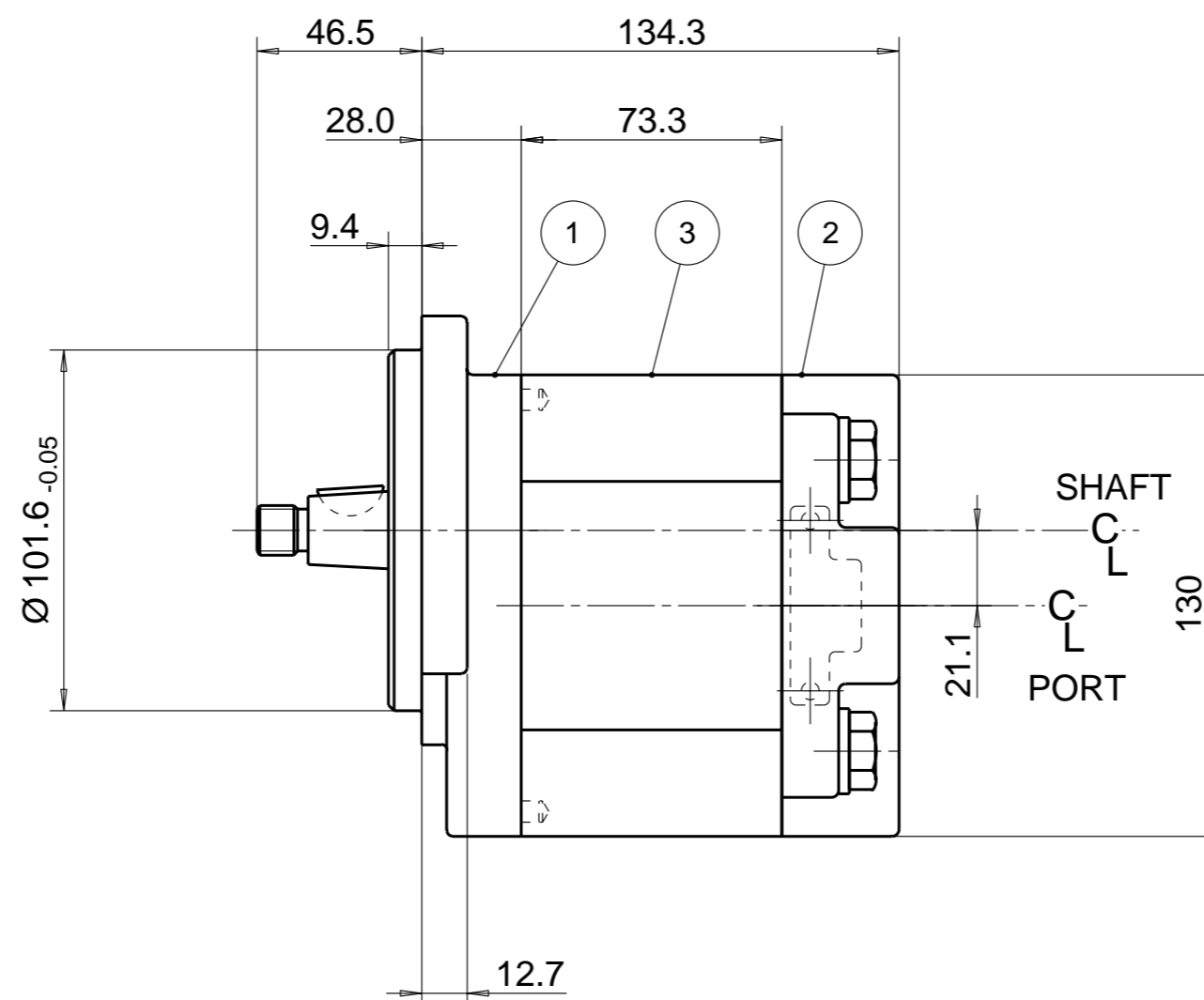
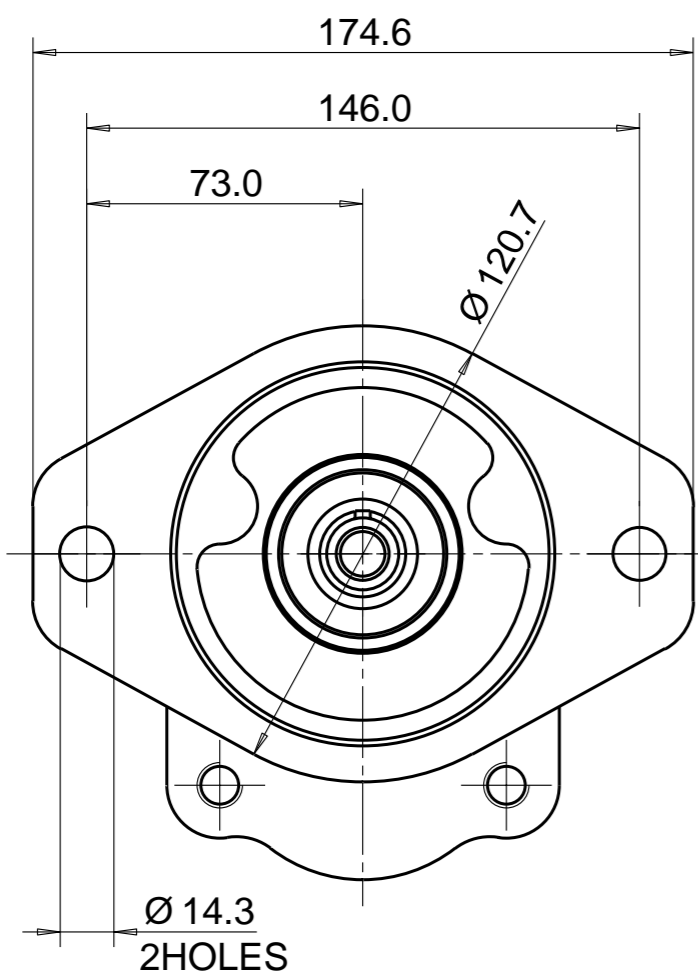


PUMP DATA	
DISPLACEMENT	19,0 ccm
MAX. PRESSURE	250 bar
SPEED RATE	500 TO 3000 min ⁻¹
MAX. INPUT SHAFT TORQUE	250 Nm
ROTATION	CLOCKWISE



M 33 X 1,5 METRIC THD.
O - RING PORT
26.0 DEEP

M 24 X 1,5 METRIC THD.
O - RING PORT
27.0 DEEP



NOTE

1 FOR ASSEMBLY INSTRUCTIONS SEE DWG. NO. "517-B1" "PGP517 PUMP ASSEMBLY INSTRUCTIONS".

2 NAMEPLATE LOCATION MAY VARY DUE TO DESIGN CRITERIA OR MANUFACTURING LOCATION. STICKER OPTIONAL FOR #31 & #32

28	391 2882 162	2	SEAL. BK-UP	36			
27	391 2882 161	2	SEAL. CHAN.	35			
26	391 2185 093	2	THRBLK/BSHG	34			
25				33			
24				32	391 1432 004	2	SCREW. DR.
23				31	391 2183 227	1	NAMEPLATE
22				30	391 2080 080	2	PIN. DOWEL
21	391 2883 058	1	SEAL. LIP	29	391 2882 148	2	SEAL. SECT.
ITEM	PART NO	REQD		ITEM	PART NO	REQD	

20							
19							
18							
17							
16	391 1401 549	4	CAPSCREW (110 MM)				
15	391 3782 232	4	WASHER				
14							
13	391 3782 260	1	WASHER				
12	391 1451 161	1	NUT				
11	391 1781 115	1	KEY				
10	333 2919 673	1	SET, GEAR SHAFT				
9							
8							
7							
6							
5							
4							
3	333 8319 100	1	HOUSING. GEAR				
2	333 3031 904	1	HOUSING. PEC				
1	333 5020 203	1	HOUSING. SEC				
ITEM	PART NO	REQ'D					DESCRIPTION

THIRD ANGLE PROJECTION

EXP NO.
FIRST USED
98-01-970/99-01-971
333 9110 221

A3 DIMENSION 26.8 WAS 25.9
A2 PGP517A0190CT1H3NB1B1H7H5 WAS P17A196**AB19-59
A1 DWG REDRAWN

SYM. REVISIONS 12JAN12 RP 12-01-923

THIS DOCUMENT CONTAINS INFORMATION THAT IS CONFIDENTIAL AND PROPRIETARY TO PARKER-HANNIFIN CORPORATION ("PARKER"). THIS DOCUMENT IS FURNISHED ON THE UNDERSTANDING THAT THE DOCUMENT AND THE INFORMATION IT CONTAINS WILL NOT BE COPIED OR DISCLOSED TO OTHERS OR USED FOR ANY PURPOSE OTHER THAN CONDUCTING BUSINESS WITH PARKER, AND WILL BE RETURNED AND ALL FURTHER USE DISCONTINUED UPON REQUEST BY PARKER. ALL RIGHTS RESERVED.

PGP517A0190CT1H3NB1B1H7H5

MATERIAL

H.E.-STD:

ADM CTR P
REV DTE 12JAN12

WT 8.52 kg

DIMENSIONS ARE MM

Parker Pump & Motor Division
Chemnitz

DR. BY DATE CH. BY DATE SCALE
RP 12JAN12 JS 12JAN12 1/2

333 9110 221

© 2012 Parker Hannifin Corporation